

# AO<sub>350</sub>

## Automatic Dispenser



- Cost-effective
- Efficiency up to:  
350ml/min x 8

- Electric Can Table

#### SANTINT • CHINA

Add: Feilong Road, Xingyang,  
Zhengzhou, China  
Email: info@santint.com

#### SANTINT • HOLLAND

Add: Lageweg 35 - J, 2222 AG  
Katwijk The Netherlands  
Email: sales@santint-europe.com

#### SANTINT • POLAND

Add: 19 Postępu Street  
(warehouse no. 5)02-676  
Warsaw, Poland  
Email: albert@santintpoland.com

#### SANTINT • U.S.A

Add: 2000 Bloomingdale Road,  
Suite 205, Glendale Heights,  
IL 60139, U.S.A  
Email: info@santintusa.com

#### SANTINT • BRAZIL

Add: Av.Rosa Kasinski,  
1109, G29 Capuava,Mauá,  
SP - Brasil CEP 09380-128  
Email: marcos@santint.com

#### SANTINT • INDIA

Add: H.No.692, Gala No.04,  
Print World Industrial Complex,  
Bhatale, Vehele Village, Opposite  
Balaji Compound, Bhiwandi,  
Maharashtra – 421302  
Email: nick@santint.com

# AO<sup>350</sup> Automatic Dispenser FEATURES >>>



Bluetooth or Wireless Module (Optional)

• Manual Can Table

- Dispensing Type: 8 channels simultaneous (max)
- Minimum Shot: 1/384Y (0.077ml)
- Efficiency: 350ml/min x 8

- No. of Canisters: Up to 16
- Canister Capacity: 2.5L/4.5L/6L
- Canister Material: POM

- Machine Dimension (W x D x H): 720X1080X1145mm
- Packing Dimension (W x D x H): 760X1140X1170mm

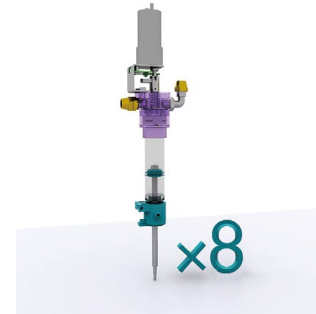
- Flow Rate (Single Pump): 775ml/min
- Efficiency (Single Pump): 350ml/min

- Power: 160W
- Power Supply: 220V/110V,50Hz/60Hz

1

## Simultaneous Piston Pump

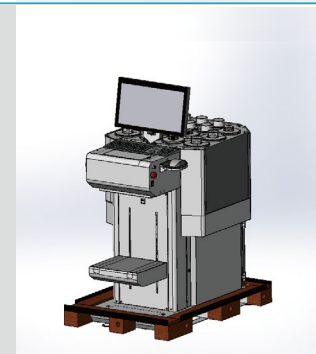
Free of calibration, easy maintenance; Efficiency up to 350ml/minx8



2

## No Lifting in Installation

AO350 is embed in detachable pallet. Place it rightly, take down the pallet, finish the installation.



3

## Box/Tablet Tinting

Save the cost of purchasing PC and system  
Away from virus



4

## 2 Layers in Container

Up to 26 units/20GP

**AO<sup>350</sup>**  
Technical  
Parameters

